

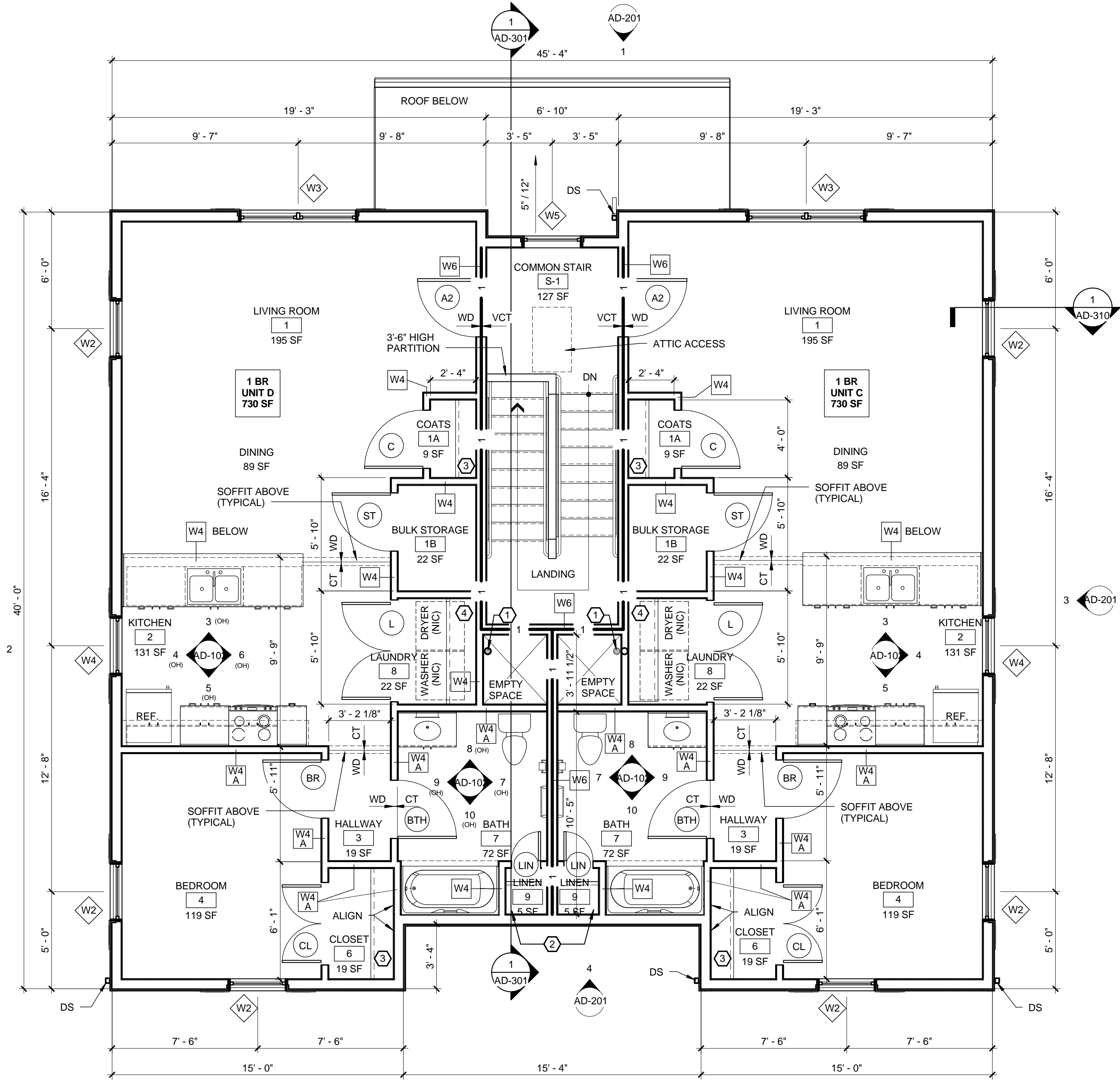
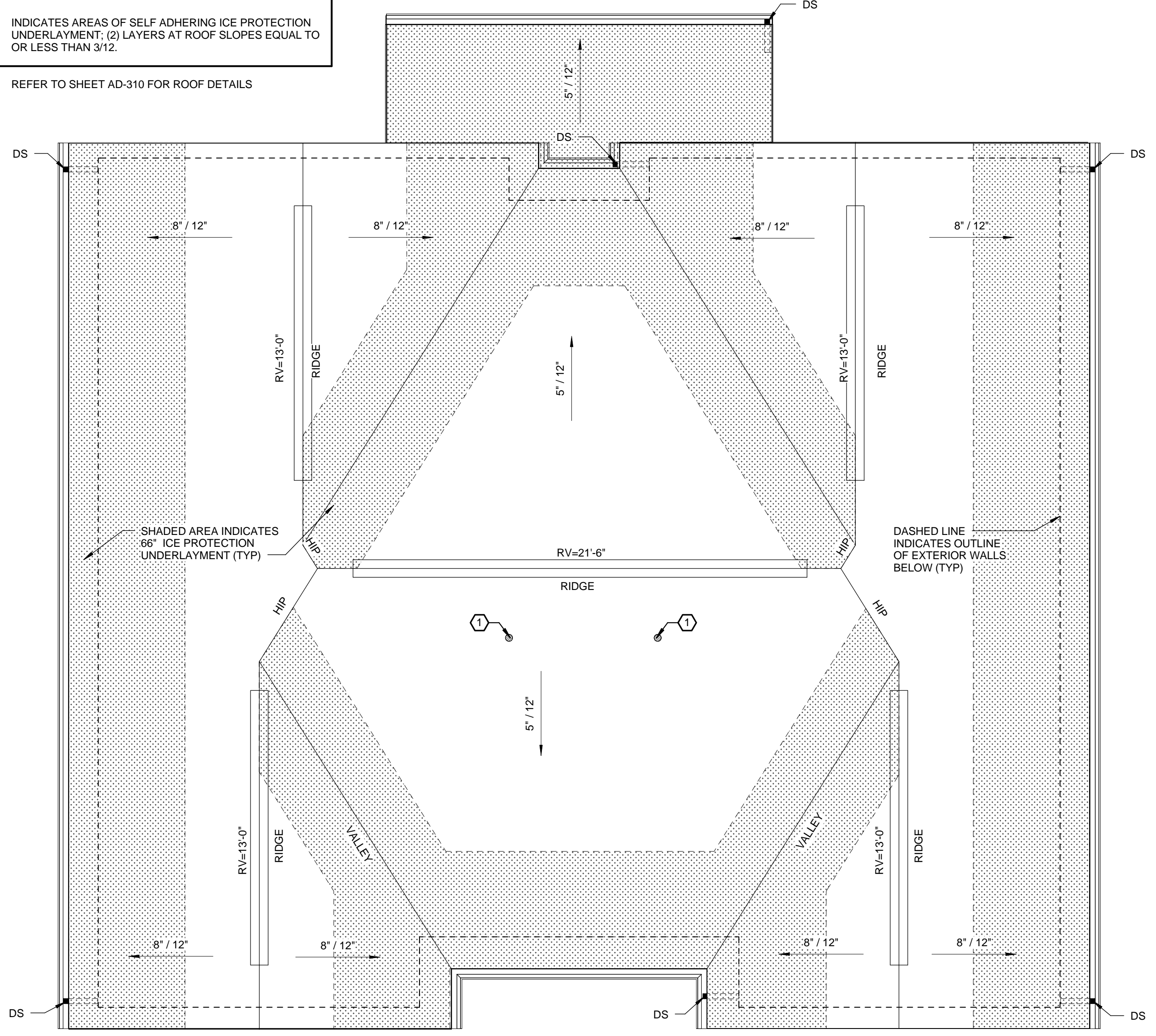
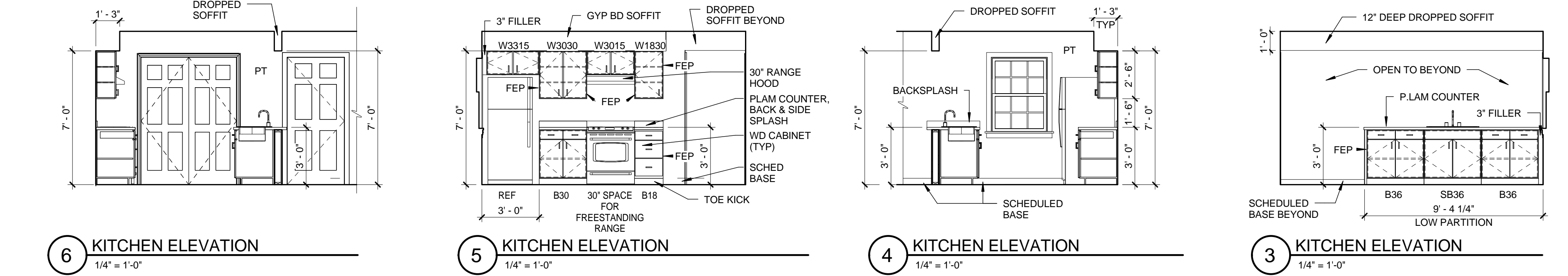
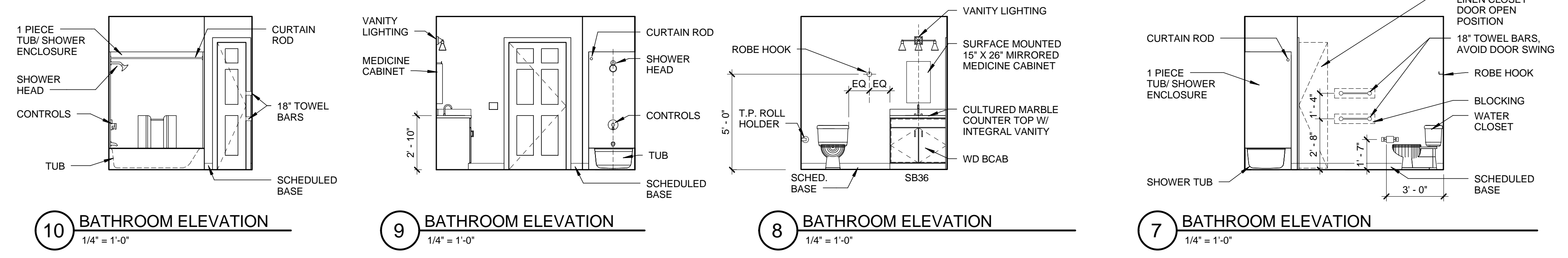
387 East Main Street
Rochester, NY 14604-2107
Voice: 585.232.8300
Fax: 585.232.9221
www.swbr.com

THESE DOCUMENTS AND ALL THE IDEAS, ARRANGEMENTS, DESIGNS AND PLANS INDICATED THEREON OR PRESENTED THEREBY ARE OWNED BY AND REMAIN THE PROPERTY OF SWBR ARCHITECTURE, ENGINEERING & LANDSCAPE ARCHITECTURE, P.C. AND NO PART THEREOF SHALL BE UTILIZED BY ANY PERSON, FIRM OR CORPORATION FOR ANY PURPOSE WHATSOEVER EXCEPT WITH THE SPECIFIC WRITTEN PERMISSION OF SWBR ARCHITECTURE, ENGINEERING & LANDSCAPE ARCHITECTURE, P.C. ALL RIGHTS RESERVED.
ROCHESTER, NEW YORK

LEGEND:

- DS 3" X 4" CORRUGATED RECTANGULAR ALUM. DOWNSPOUT TO ABOVE GRADE PVC CLEANOUTS TO UNDERGROUND STORM LATERALS - REFER TO CIVIL DRAWINGS
- SV METAL SOFFIT VENT (FULLY VENTED) 5.9 SQ IN NFVA PER SQ FT
- RV SHINGLE OVER TYPE RIDGE VENT (LIN FT) MIN NFVA 16 SQ IN PER FT
- BV ROOF BOX VENT MIN 50 SQ IN NFVA MATCH COLOR OF ROOF SHINGLES
- RS RADON VENT STACK
- 5/12 INDICATES ROOF SLOPE
- INDICATES AREAS OF SELF ADHERING ICE PROTECTION UNDERLAYMENT; (2) LAYERS AT ROOF SLOPES EQUAL TO OR LESS THAN 3/12.

REFER TO SHEET AD-310 FOR ROOF DETAILS



REVISIONS

no.	date	by	description

PROJECT:
ONEONTA HEIGHTS
ONEONTA, NEW YORK

HCR SHARS NO.: 20146049

CLIENT:
HOUSING VISIONS
1201 EAST FAYETTE STREET
SUITE 26, SYRACUSE NY 13210

DRAWING TITLE
BUILDING D -
2ND FLOOR / ROOF PLANS
& INTERIOR ELEVATIONS

DRAWING NO. **AD-102**

drawn by DB
checked E/JG
proj. mgr. E/JG
proj. no. 14680

STATUS:
PROGRESS SET

ISSUE DATE:
8/21/2015

