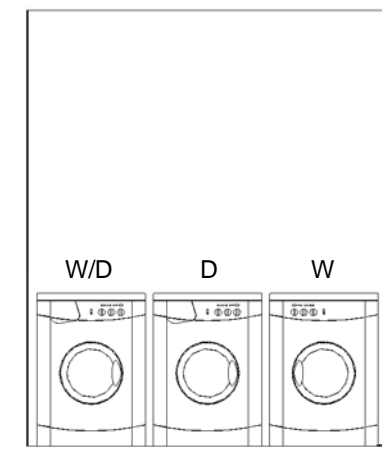
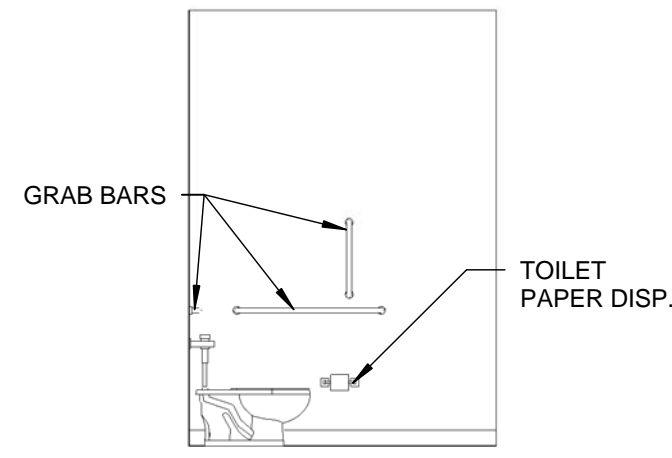


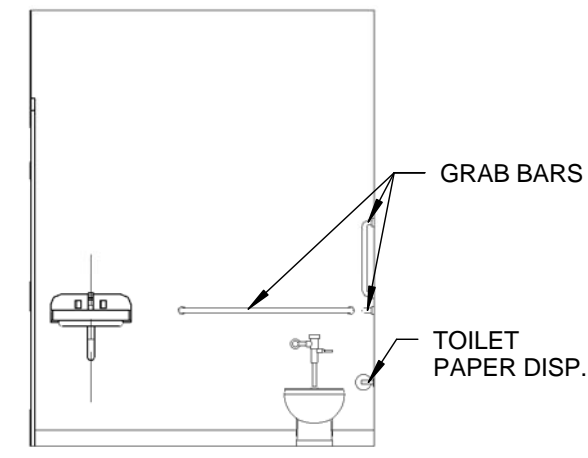
9 LAUNDRY ELEVATION  
1/4" = 1'-0"



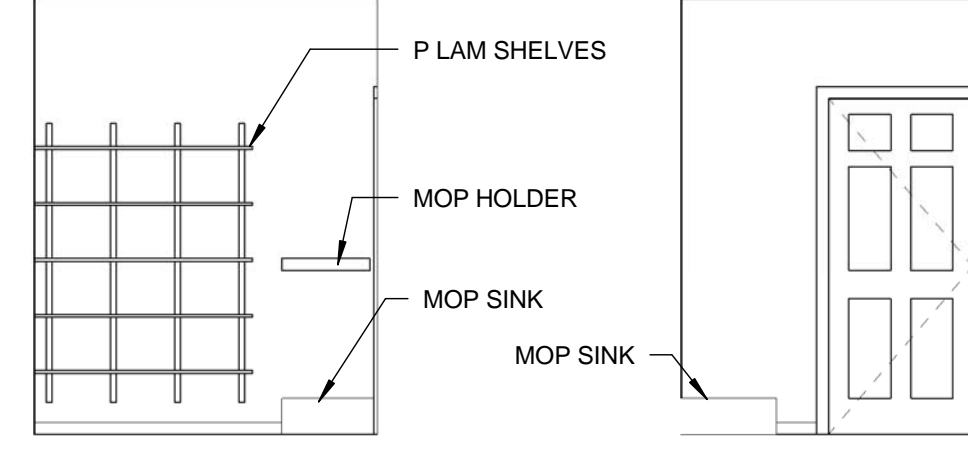
8 LAUNDRY ELEVATION  
1/4" = 1'-0"



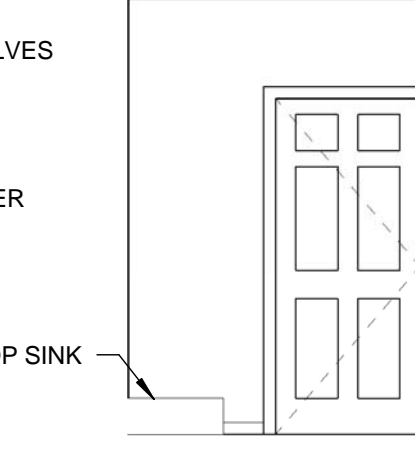
7 TOILET ELEVATION  
1/4" = 1'-0"



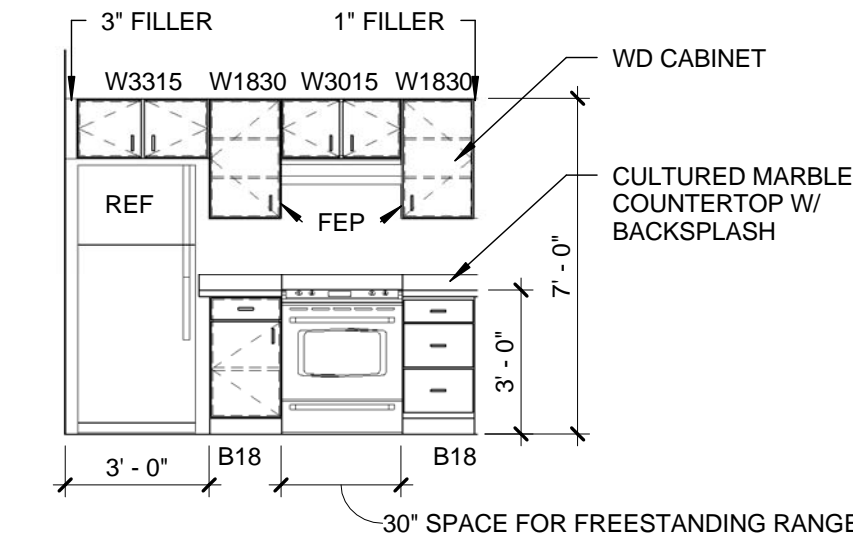
6 TOILET ELEVATION  
1/4" = 1'-0"



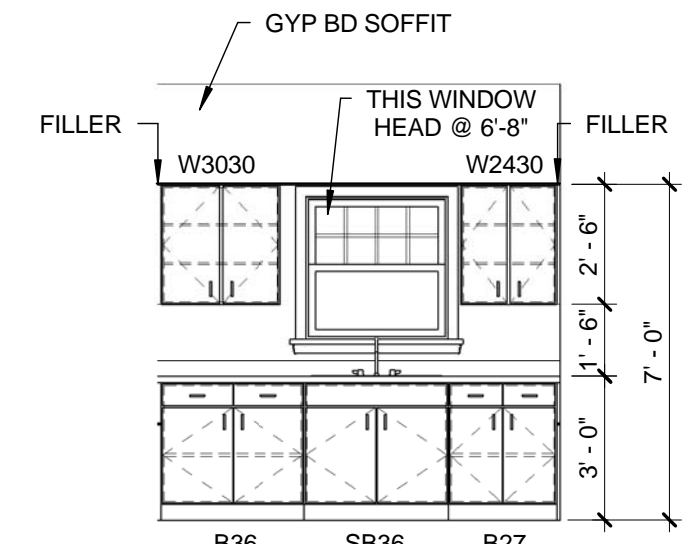
5 MECH ELEVATION  
1/4" = 1'-0"



4 MECH ELEVATION  
1/4" = 1'-0"

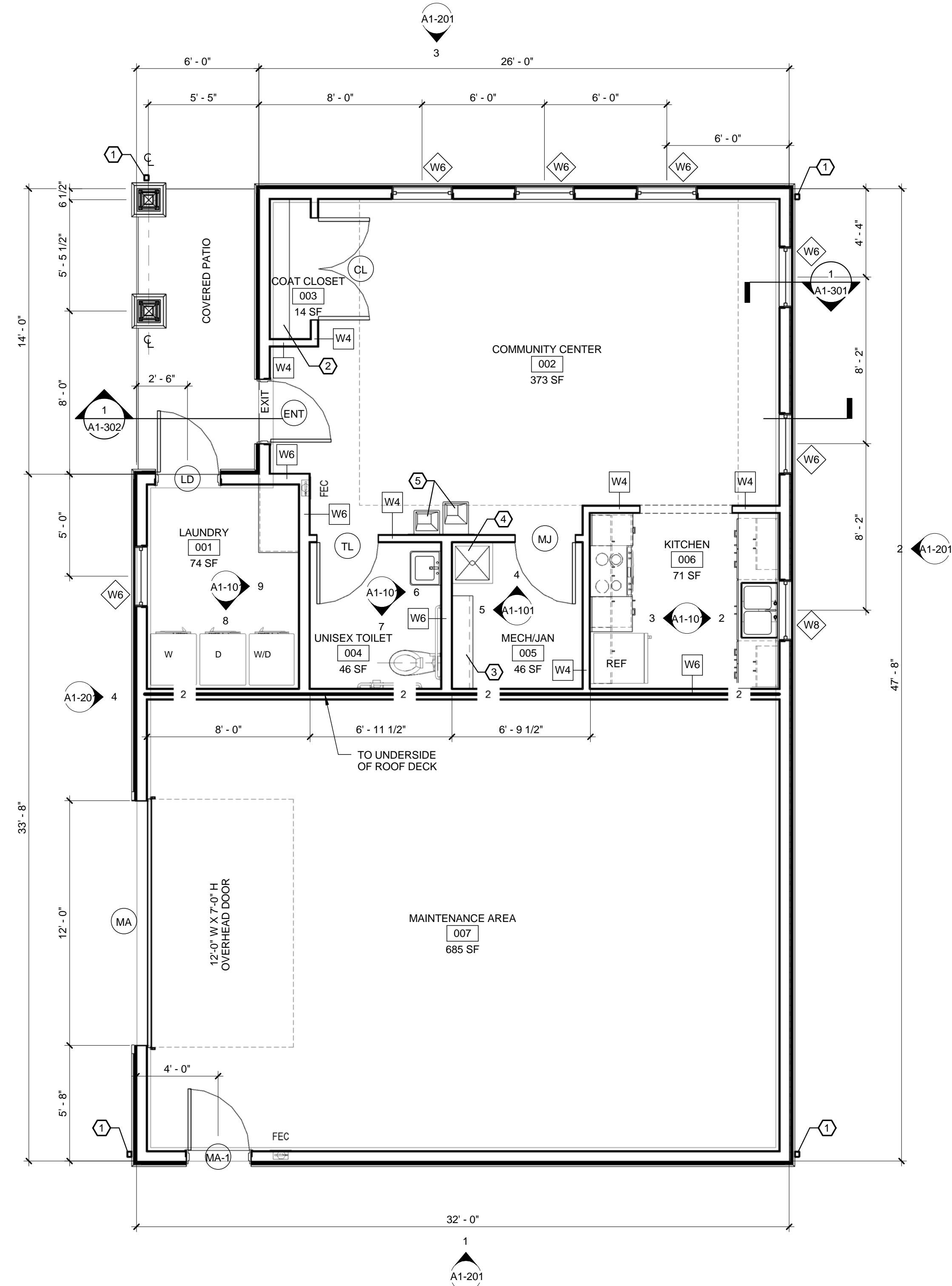


3 KITCHEN ELEVATION  
1/4" = 1'-0"



2 KITCHEN ELEVATION  
1/4" = 1'-0"

PLAN KEY NOTES	
NO.	DESCRIPTION
1	DOWNSPOUT 3" x 4"
2	WOOD COAT ROD & P-LAM WOOD SHELF
3	5 P-LAM WOOD SHELVES
4	MOP SINK
5	DRINKING FOUNTAIN



1 FLOOR PLAN  
1/4" = 1'-0"



387 East Main Street  
Rochester, NY 14604-2107  
Voice: 585.232.8300  
Fax: 585.232.9221  
www.swbr.com

THESE DOCUMENTS AND ALL THE IDEAS, ARRANGEMENTS, DESIGNS AND PLANS INDICATED THEREON OR PRESENTED THEREBY ARE OWNED BY AND REMAIN THE PROPERTY OF SWBR ARCHITECTURE, ENGINEERING & LANDSCAPE ARCHITECTURE, P.C. AND NO PART THEREOF SHALL BE UTILIZED BY ANY PERSON OR FIRM OR CORPORATION FOR ANY PURPOSE WHATSOEVER EXCEPT WITH THE SPECIFIC WRITTEN PERMISSION OF SWBR ARCHITECTURE, ENGINEERING & LANDSCAPE ARCHITECTURE, P.C. ALL RIGHTS RESERVED.  
ROCHESTER, NEW YORK

REVISIONS			
no.	date	by	description

PROJECT:  
ONEONTA HEIGHTS  
ONEONTA, NEW YORK

CLIENT:  
HOUSING VISIONS  
1201 EAST FAYETTE STREET  
SUITE 26, SYRACUSE NY 13210

DRAWING TITLE  
COMMUNITY BUILDING  
FIRST FLOOR PLAN &  
INTERIOR ELEVATIONS

DRAWING NO.	drawn by	KAD
A1-101	checked	EJG
	proj. mgr.	EJG
	proj. no.	14680

STATUS:  
PROGRESS SET

ISSUE DATE:  
07/24/2015